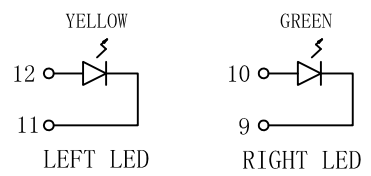
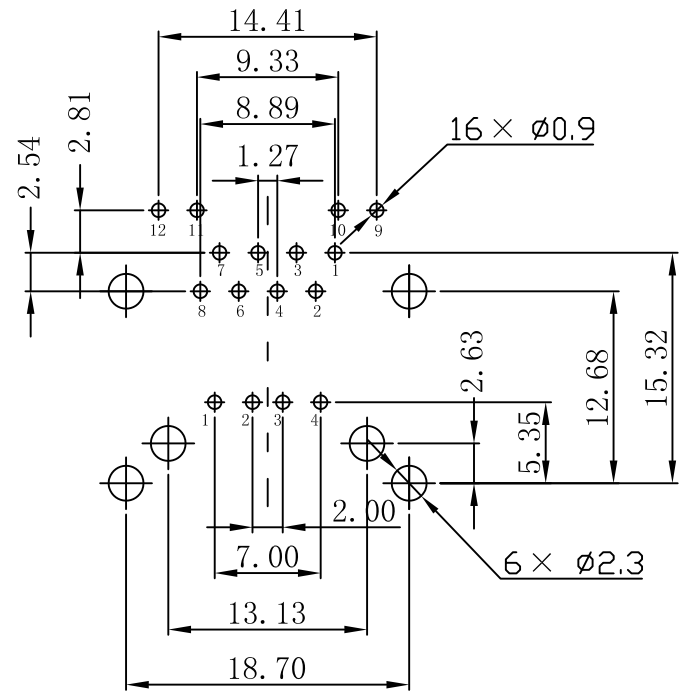
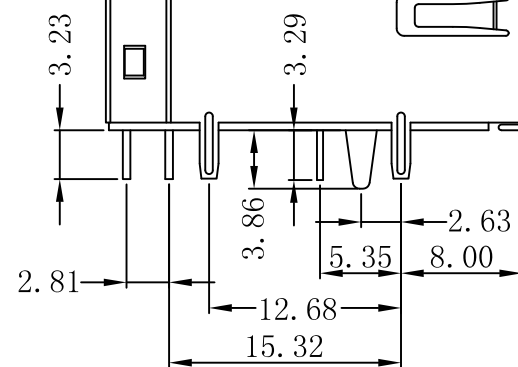
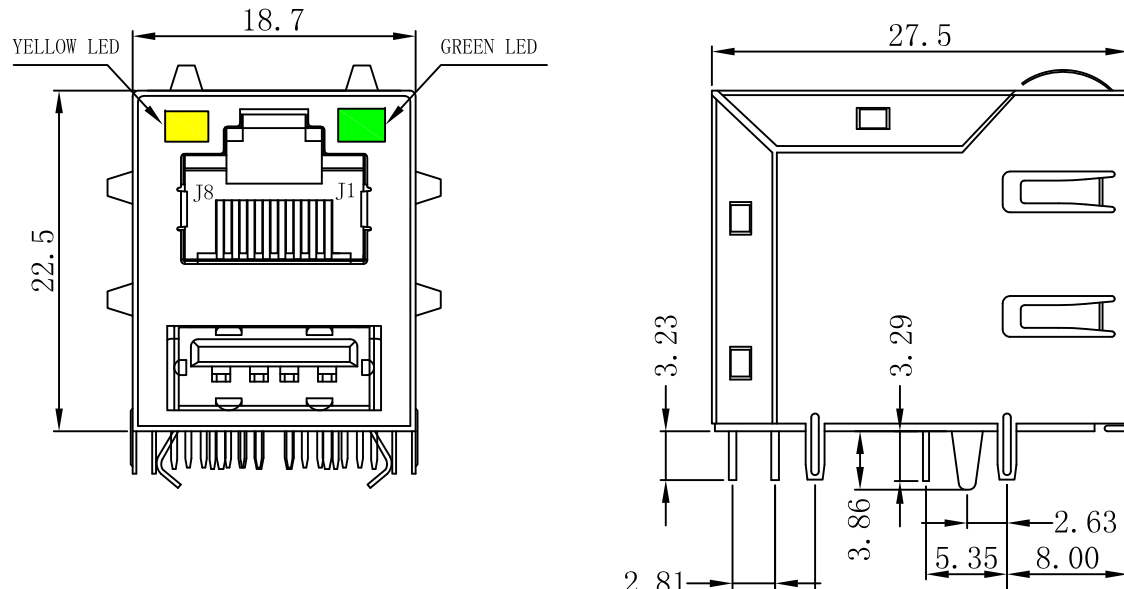


Mechanical:

REV.	ECN NO.	DESCRIPTION	DATE	APPD
A	REL		2013/09/05	



Emitting Color	λ p(nm)	VF@IF=20mA	IR @VR=5V
Green	570	1.8~2.6V	10 μ A max
Yellow	585	1.8~2.6V	10 μ A max



SUGGESTED PCB LAYOUT (TOP VIEW)

NOTES:Electrical:

1. Voltage:125VAC RMS.
2. Current Rating:1.5A.
3. Contact Resistance:30 Milliohms max.
4. Insulation Resistance:500 Megohms Min @500VDC.
5. Dielectric Strength:1000VAC RMS 50Hz 1Min.
6. RJ-45 Contact plating: Gold 6 micro-inches min.
In contact area
USB Contact plating: Gold flash
7. Gold Plating: (Gold Flash;1.5;3;6;15;30;50)U" Inch
8. Wave solder temperture: 230°C to 250°C, 5~10 Sec.

MECHANICAL:

1. Housing Material:Glass Filled Polyester UL94V-0.
2. Contact Material:Phosphor Bronze ϕ 0.45mm.
3. Plating:Gold Plating Over Nickel.
4. Operating:750 Cycles Min.
5. Shield 0.23mm Thickness Copper Alloy With Nickel Plated.
6. PCB Retention Pre-Solder:1 LB Min.

Environmental:

1. Temperature Range:-45°C ~ +85°C.
2. Relative Humidity:90~95% (40 \pm 2°C)

X:X	± 0.30	APPD:	LINK-PP INT'L TECHNOLOGY CO., LIMITED
X:XX	± 0.25	CHKD:	
X:XXX	± 0.05	DR: TOM	TITLE: RJ45/Single USB Jack
ANGLES	$\pm 1^\circ$	UNIT: mm	PART NO.: LPJE305AGNL
	SCALE: 2/1	SHEET: 1/1	REV: A
			DWG NO.: LP13090521