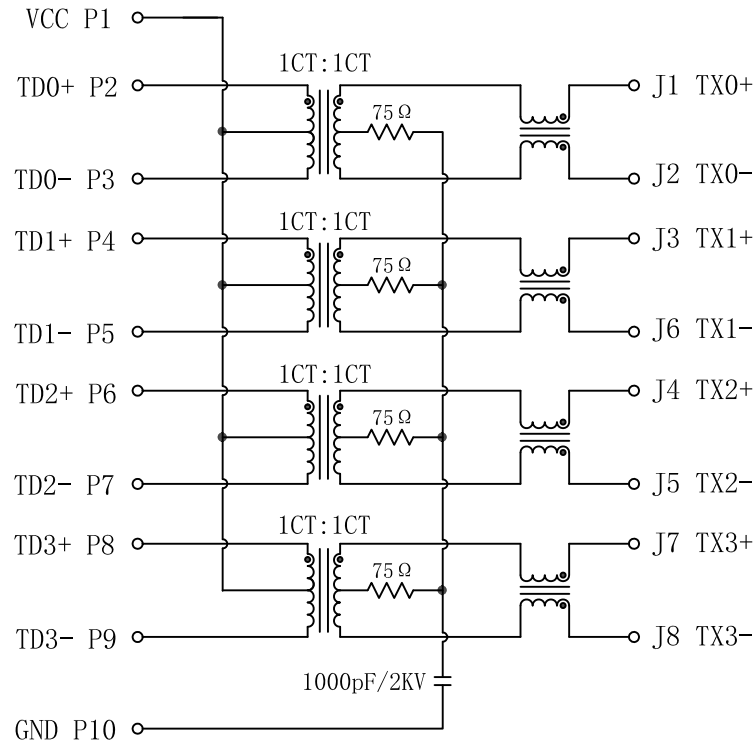


# Schematic:

| REV. | ECN NO. | DESCRIPTION | DATE       | APPD |
|------|---------|-------------|------------|------|
| A    | REL     |             | 2010/06/17 |      |

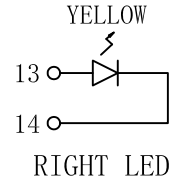
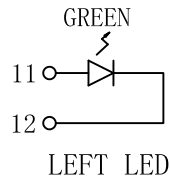
PC BOARD CONNECTIONS



RJ45 CONNECTOR

## ELECTRICAL SPECIFICATIONS@25°C

- Turn Ratio ( $\pm 2\%$ ):  
Pri:Sec = 1CT:1CT
- Inductance OCL: 350uH MIN  
@100KHz/0.1V, 8mA DC Bias
- Insertion Loss:  
-1.0dB MAX @ 1.0-65MHz
- Return Loss:  
-20dB MIN @ 1-10MHz  
-16dB MIN @ 10-30MHz  
-12dB MIN @ 30-60MHz  
-10dB MIN @ 60-100MHz
- Cross talk:  
-40dB MIN @ 1-30MHz  
-35dB MIN @ 30-60MHz  
-30dB MIN @ 60-100MHz
- Common Mode Rejection:  
-30dB MIN @ 1-50MHz  
-20dB MIN @ 50-150MHz
- Hipot: 1500Vrms MIN
- Operating Temperature: -40°C TO +85°C.

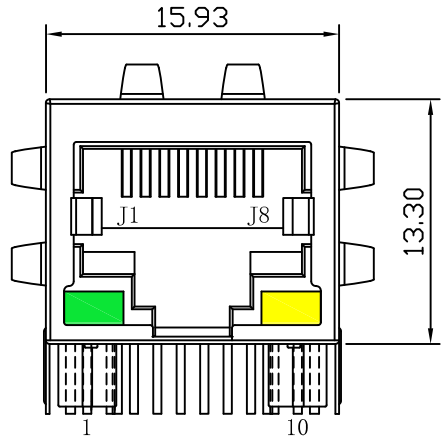


| Emitting Color | $\lambda$ p(nm) | VF@IF=20mA | IR @VR=5V      |
|----------------|-----------------|------------|----------------|
| GREEN          | 565             | 1.8~2.6V   | 10 $\mu$ A max |
| YELLOW         | 585             | 1.8~2.6V   | 10 $\mu$ A max |

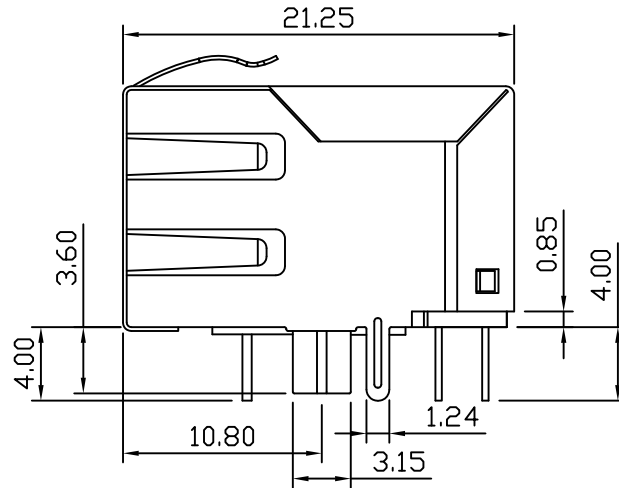
|        |               |            |  |                     |
|--------|---------------|------------|--|---------------------|
| X:X    | $\pm 0.30$    | APPD:      | LINK-PP INT'L TECHNOLOGY CO., LIMITED                          |                     |
| X:XX   | $\pm 0.25$    | CHKD:      | TITLE: RJ45 Connector with 1000 Base-T<br>Integrated Magnetics |                     |
| X:XXX  | $\pm 0.05$    | DR: TOM    |  |                     |
| ANGLES | $\pm 1^\circ$ | UNIT: mm   | PART NO.: LPJG4820GENL   |                     |
|        | SCALE: 2/1    | SHEET: 1/2 | REV: A   | DWG NO.: LP10061736 |

# Mechanical:

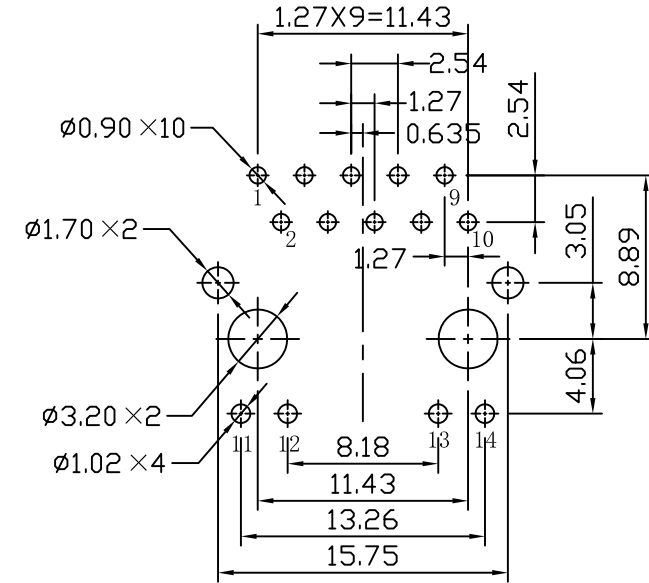
| REV. | ECN NO. | DESCRIPTION | DATE       | APPD |
|------|---------|-------------|------------|------|
| A    | REL     |             | 2010/06/17 |      |



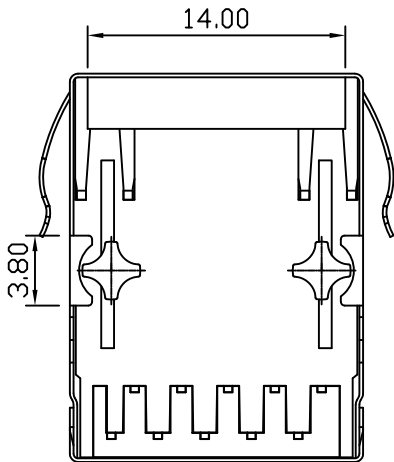
Front Side View



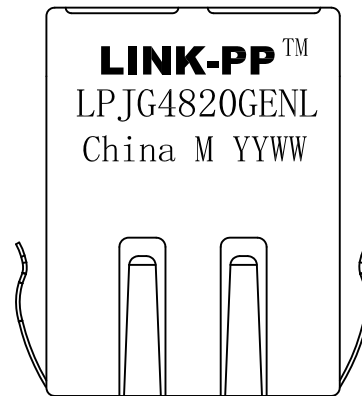
Left Side View



Suggested PCB Layout(Top View)



Bottom Side View



Top Side View

## NOTES:

1. Designed to support application, such as SOHO (ADSL modems), LAN-on-Motherboard (LOM), hub and Switches.
2. Meets IEEE802.3 specification
3. Connector Materials:  
 Housing: Thermoplastic PBT+30%G.F UL94V-0  
 Contact: Phosphor Bronze C5210R-EH Thickness=0.35mm  
 Pins: Brass C2680R-H Thickness=0.35mm  
 Shield: SUS 201-1/2H Thickness=0.2mm  
 Contact plating: Gold 6 micro-inches min. In contact area.
4. Wave solder tip temperature: 265°C Max, 5 Sec.
5. UL Certification: File Number E484635.

|             |            |   |        |  |
|-------------|------------|---|--------|--|
| X:X ±0.30   | APPD:      | LINK-PP INT'L TECHNOLOGY CO., LIMITED                       |        |  |
| X:XX ±0.25  | CHKD:      | TITLE: RJ45 Connector with 1000 Base-T Integrated Magnetics |        |  |
| X:XXX ±0.05 | DR: TOM    | PART NO.: LPJG4820GENL                                      |        |  |
| ANGLES ±1°  | UNIT: mm   | DWG NO.: LP10061736   |        |  |
|             | SCALE: 2/1 | SHEET: 2/2  | REV: A |  |